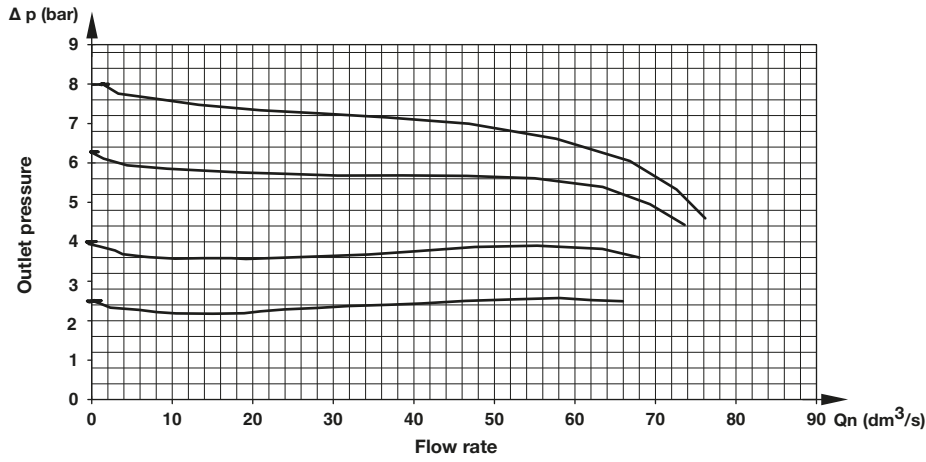







**Flow characteristics**

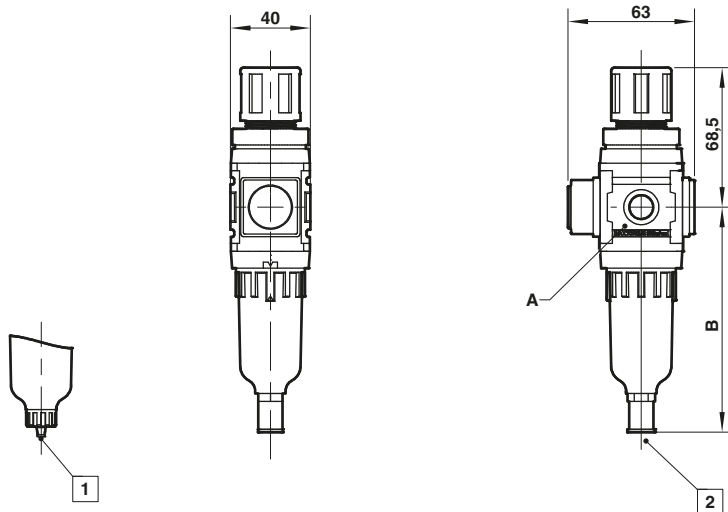
Element 5 µm  
 Port size 1/2"  
 Inlet pressure 10 bar



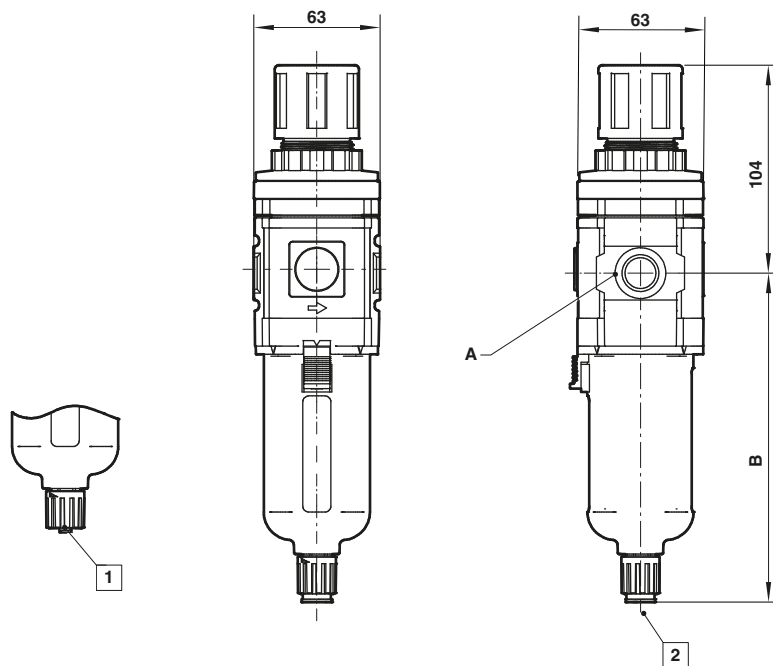
**Accessories**

	L Bracket	C Bracket	Gauge
			
<b>Port size</b>	<b>Page 4</b>	<b>Page 4</b>	<b>Page 4</b>
G1/8 & G1/4	49B-011	49B-021	49B-GS01
G3/8 & G1/2	49B-012	49B-022	49B-GS02

**Dimensions**
**G1/8 & G1/4**

 Dimensions in mm  
 Projection/Third angle


- 1 Manual drain can insert ID  $\varnothing$  4 PU tube at drain outlet.
- 2 Semi-auto drain can insert OD  $\varnothing$  6 PU tube at drain outlet.

**G3/8 & G1/2**


- 1 Manual drain or automatic drain can insert ID  $\varnothing$  5,5 PU tube at drain outlet.
- 2 Semi-auto drain can insert OD  $\varnothing$  8 PU tube at drain outlet.

Port size (A)	B	Model
G1/8	113,5	B49G-1GK-ST1-RMG
G1/8	105,5	B49G-1GK-MT1-RMG
G1/4	113,5	B49G-2GK-ST1-RMG
G1/4	105,5	B49G-2GK-MT1-RMG
G3/8	158	B49G-3GK-SW1-RMG
G3/8	157	B49G-3GK-MW1-RMG
G3/8	157	B49G-3GK-AW1-RMG
G1/2	158	B49G-4GK-SW1-RMG
G1/2	157	B49G-4GK-MW1-RMG
G1/2	157	B49G-4GK-AW1-RMG

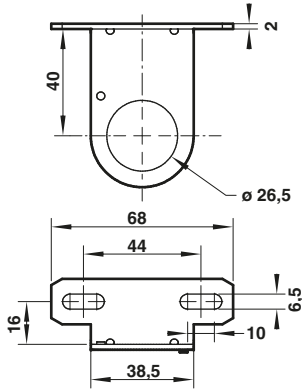
Accessories

Dimensions in mm  
Projection/Third angle



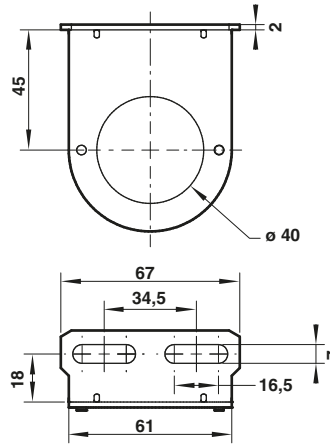
L Bracket

49B-011



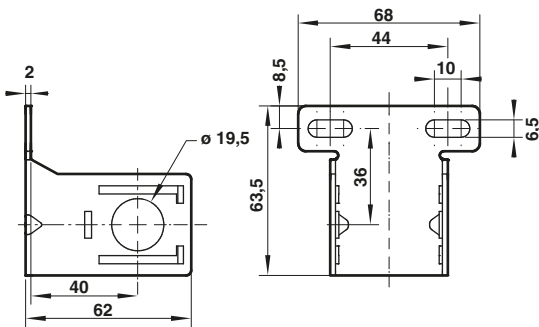
L Bracket

49B-012



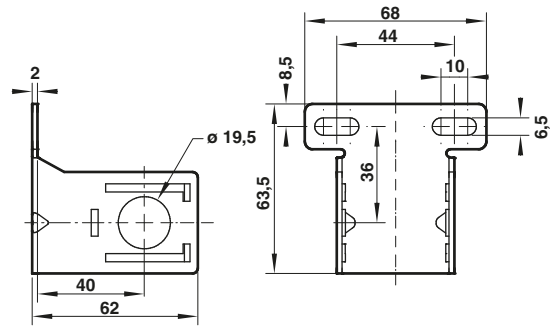
C Bracket

49B-021



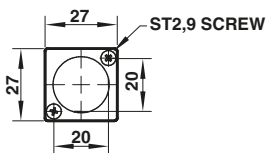
C Bracket

49B-022



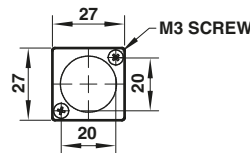
Gauge

49B-GS01



Gauge

49B-GS02



Warning

These products are intended for use in industrial compressed air systems only. Do not use these products where pressures and temperatures can exceed those listed under »**Technical features/data**«.

Before using these products with fluids other than those specified, for non-industrial applications, life-support systems or other applications not within published specifications, consult IMI Precision Engineering, Norgren Co. Ltd.

Through misuse, age, or malfunction, components used in fluid power systems can fail in various modes. The system designer is warned to consider the failure modes of all component parts used in fluid power systems and to provide adequate safeguards to prevent personal injury or damage to equipment in the event of such failure.

System designers must provide a warning to end users in the system instructional manual if protection against a failure mode cannot be adequately provided.

System designers and end users are cautioned to review specific warnings found in instruction sheets packed and shipped with these products.